

8MP Lighthunter WDR IR Network Dome Camera

IPC3738SE-ADZK-I0



Key Features



- High quality image with 8MP, 1/1.8" CMOS sensor
- 3840*2160@30fps in the main stream
- Ultra 265, H.265, H.264, MJPEG
- LightHunter technology ensures ultra-high image quality in low illumination environment
- Up to 120 dB Optical WDR (Wide Dynamic Range)
- Built-in heater, support normal start-up at low temperature
- DC12V or PoE (IEEE 802.3af) power supply
- Wide voltage range of $\pm 25\%$ in DC
- Audio 1 in and 1 out, Alarm 2 in and 1 out

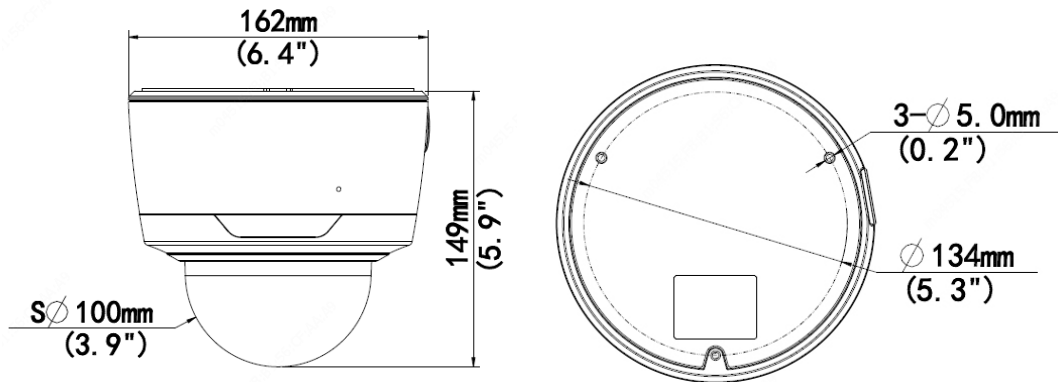
Specifications

| | | | | | |
|-------------------------|---|----------------|---------------|---------------|--------------|
| IPC3738SE-ADZK-I0 | | | | | |
| Camera | | | | | |
| Sensor | 1/1.8", 8.0 megapixel, progressive scan, CMOS | | | | |
| Min. Illumination | Colour:0.001 lux (F1.2, AGC ON) 0 lux with IR | | | | |
| Day/Night | IR-cut filter with auto switch (ICR) | | | | |
| Shutter | Auto/Manual, 1 ~ 1/100000s | | | | |
| Angle Adjustment | Pan: 0° to 355°, tilt: 0° to 75°, rotate: 0° to 355° | | | | |
| WDR | 120dB | | | | |
| S/N | >56dB | | | | |
| Lens | | | | | |
| Lens type | 2.8~12mm@F1.2, AF automatic focusing and motorized zoom lens | | | | |
| Iris | Fixed | | | | |
| Angle of View (H) | 48.0°~101.1° | | | | |
| Angle of View (V) | 23.9°~57.2° | | | | |
| Angle of View (O) | 4.12°~74.38° | | | | |
| DORI | | | | | |
| DORI Distance | Lens (mm) | Detect (m) | Observe (m) | Recognize (m) | Identify (m) |
| | 2.8 | 98.6(323.3ft) | 39.4(129.3ft) | 19.7(64.7ft) | 9.9(32.3ft) |
| | 12 | 241.0(790.6ft) | 96.4(316.2ft) | 48.2(158.1ft) | 24.1(79.1ft) |
| Illuminator | | | | | |
| IR Range | Up to 40m (131 ft) IR range | | | | |
| Wavelength | 850nm | | | | |
| IR On/Off Control | Auto/Manual | | | | |
| Video | | | | | |
| Video Compression | Ultra 265, H.265, H.264, MJPEG | | | | |
| Frame Rate | Main Stream: 8MP (3840*2160), Max 30fps in Frame Rate Priority mode; Max 20fps in Smart Priority mode; Sub Stream: 1080P (1920*1080), Max 30fps; Third Stream: D1 (720*576), Max 30fps; | | | | |
| Video Bit Rate | 128 Kbps~16 Mbps | | | | |
| ROI | Up to 8 areas | | | | |
| Video stream | Triple streams | | | | |
| OSD | Up to 8 OSDs | | | | |
| Privacy Mask | Up to 4 areas per scene | | | | |
| Image | | | | | |
| White Balance | Auto/Outdoor/Fine Tune/Sodium Lamp/Locked/Auto2 | | | | |
| Digital noise reduction | 2D/3D DNR | | | | |
| Smart IR | Support | | | | |
| Flip | Normal/Flip Vertical/Flip Horizontal/180° | | | | |
| HLC | Support | | | | |
| BLC | Support | | | | |
| Defog | Digital Defog | | | | |
| Events | | | | | |
| Basic Detection | Motion detection, Audio detection, Tampering alarm | | | | |

| | |
|------------------------|---|
| General Function | Watermark, IP Address Filtering, Alarm input, Alarm output, Access Policy, ARP Protection, RTSP Authentication, User Authentication |
| Audio | |
| Audio Compression | G.711U, G.711A |
| Audio Bitrate | 64 Kbps |
| Two-way Audio | Support |
| Suppression | Support |
| Sampling Rate | 8KHz |
| Storage | |
| Edge Storage | Micro SD, up to 256 GB |
| Network Storage | ANR,NAS(NFS) |
| Network | |
| Protocols | IPv4, IGMP, ICMP, ARP, TCP, UDP, DHCP, PPPoE, RTP, RTSP, RTCP, DNS, DDNS, NTP, FTP, UPnP, HTTP, HTTPS, SMTP, 802.1x, SNMP, QoS, RTMP, SSL/TLS |
| Compatible Integration | ONVIF (Profile S, Profile G, Profile T), API, SDK |
| User/Host | Up to 32 users. 2 user levels: administrator and common user |
| Security | Password protection, strong password, HTTPS encryption, basic and digest authentication for RTSP, digest authentication for HTTP, TLS 1.2, WSSE and digest authentication for ONVIF |
| Client | EZStation EZLive Ezview |
| Web Browser | Plug-in required live view: IE9+, Chrome 41 and below, Firefox 52 and below |
| Interface | |
| Audio I/O | 1/1 |
| Alarm I/O | 2/1 |
| Serial Port | N/A |
| Built-in Mic | Support |
| Built-in Speaker | N/A |
| Built-in Heater | Support |
| Video output | 1 BNC |
| Network | 1 * RJ45 10M/100M Base-TX Ethernet |
| Certification | |
| EMC | FCC CFR 47 Part 15 EN 55032:2015 EN 55024:2010 EN 61000-3-2:2014 EN 61000-3-3-2013 |
| Safety | IEC 62368-1 EN 62368-1 UL 60950-1 |
| Environment | CE-ROHS (2011/65/EU;(EU)2015/863); WEEE (2012/19/EU); REACH (Regulation (EC) No 1907/2006) |
| General | |
| Power | DC12V(±25%), PoE(IEEE 802.3af) |
| | Power consumption: Max 10W |
| Dimensions (Ø x H) | Ø 162mm x 149mm(Φ6.4" x 5.9") |
| Weight | 1.5Kg(3.31lb) |
| Working Environment | -40°C ~ 60°C (-40°F ~ 140°F), Humidity: ≤95% RH (non-condensing) |
| Storage Environment | -40°C ~ 70°C (-40°F ~ 158°F), Humidity: ≤95% RH (non-condensing) |

| | |
|------------------|---|
| Surge protection | 6KV |
| Reset button | Support |
| Protection | Ingression protection: IP67 Vandal resistant: IK10 |

Dimensions



Accessories

TR-WM04-IN



TR-UP06-IN



TR-SE24-IN

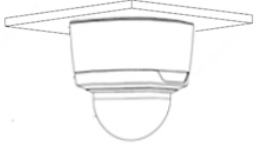
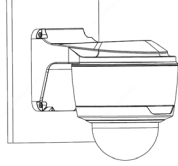
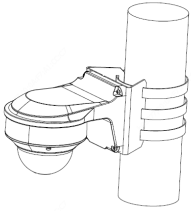
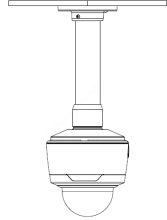


TR-SE24-A-IN



TR-CM24-IN



| Ceiling Mount | Wall Mount |
|---|---|
| TR-A01-IN(optional) | TR-WM04-IN |
|  |  |
| Pole Mount | Indoor Pendent Mount |
| TR-UP06-IN+ TR-WM04-IN | TR-SE24-IN/TR-SE24-A-IN + TR-CM24-IN |
|  |  |

Zhejiang Uniview Technologies Co., Ltd.

Building No.10, Wanlun Science Park, Jiangling Road 88, Binjiang District, Hangzhou, Zhejiang, China (310051)

 Email: overseasbusiness@uniview.com; globalsupport@uniview.com
<http://www.uniview.com>

©2021 Zhejiang Uniview Technologies Co., Ltd. All rights reserved.

*Product specifications and availability are subject to change without notice.